



# INDUSTRIAL CCTV SYSTEMS

*SOLUTION FOR GLASS PLANT*



SYSTEM PROPOSED FOR GLASS APPLICATIONS

HIGH TEMPERATURE CAMERA SYSTEM



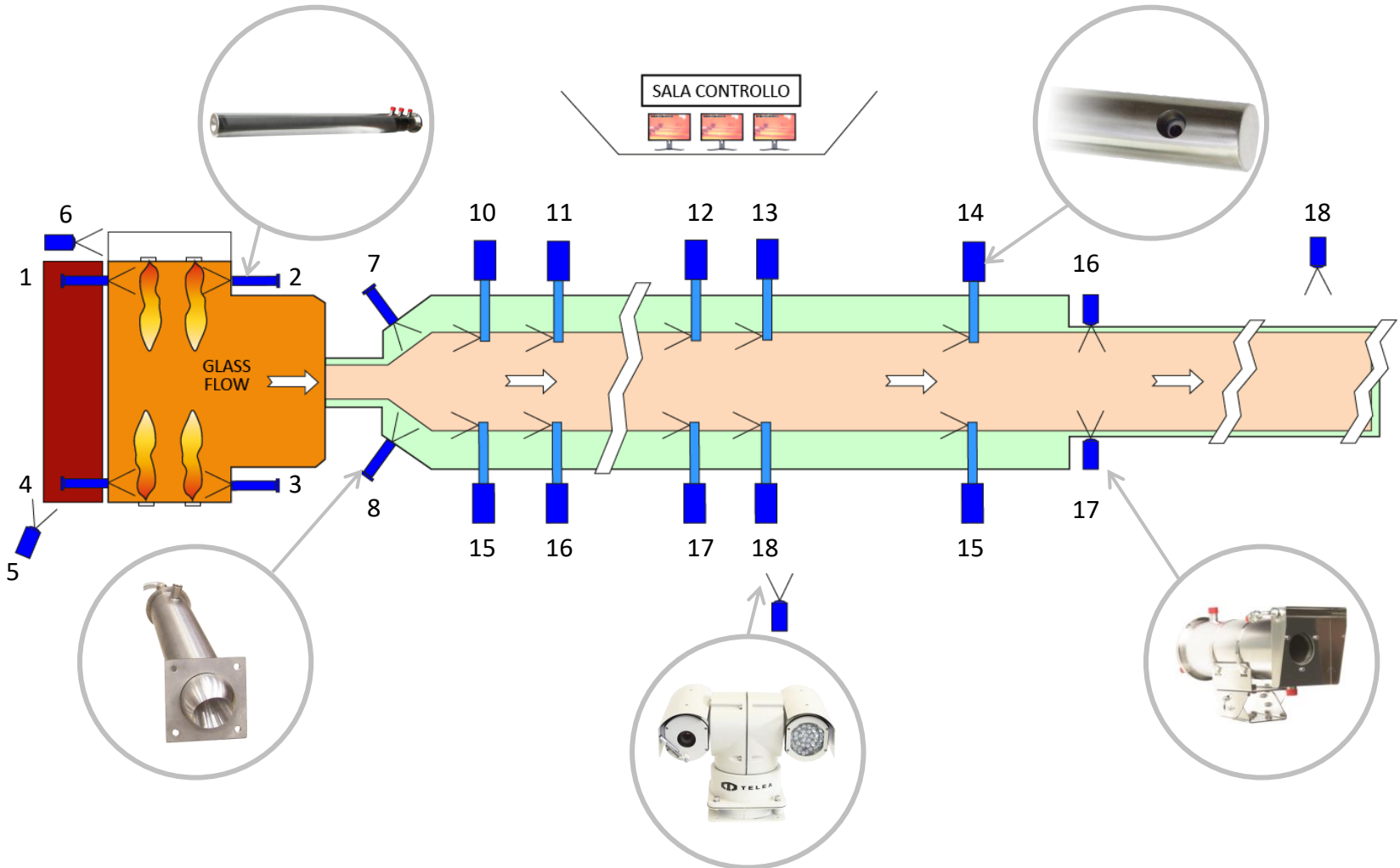
INDUSTRIAL CCTV SYSTEMS



INDUSTRIAL AUDIO COMMUNICATION



APPLICATION ON FLOAT GLASS PLANT



## APPLICATION ON FLOAT GLASS PLANT

### FURNACE



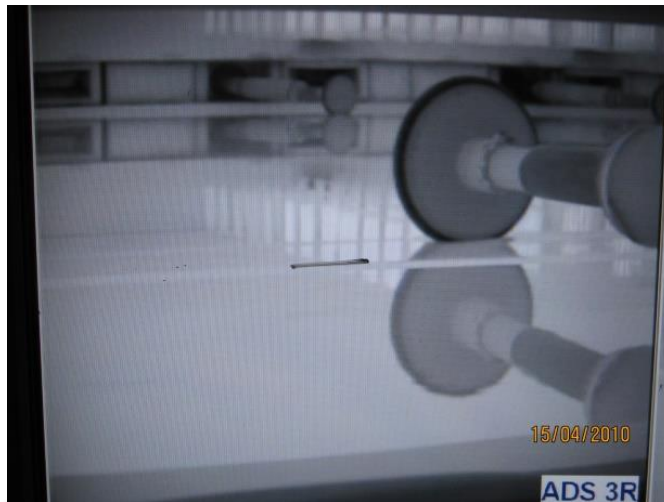
SONDATEC with bracket at  
Melting section end



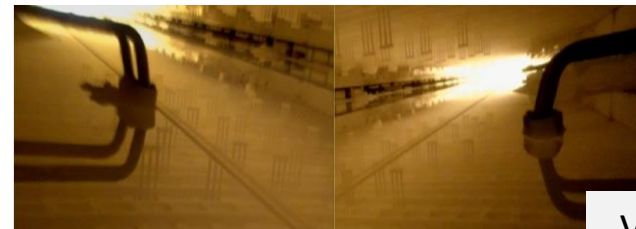
- Diameter: 89.9 mm
- Length 950 mm / 1200 mm

## APPLICATION ON FLOAT GLASS PLANT

### BATH



- Water & Nitrogen Cooled camera
- Two types of top roll cameras
- 4000 mm inside or wall mounted



Video



APPLICATION ON FLOAT GLASS PLANT

EXIT QUALITY CONTROL



## APPLICATION ON FLOAT GLASS PLANT

### BATCH PLANT



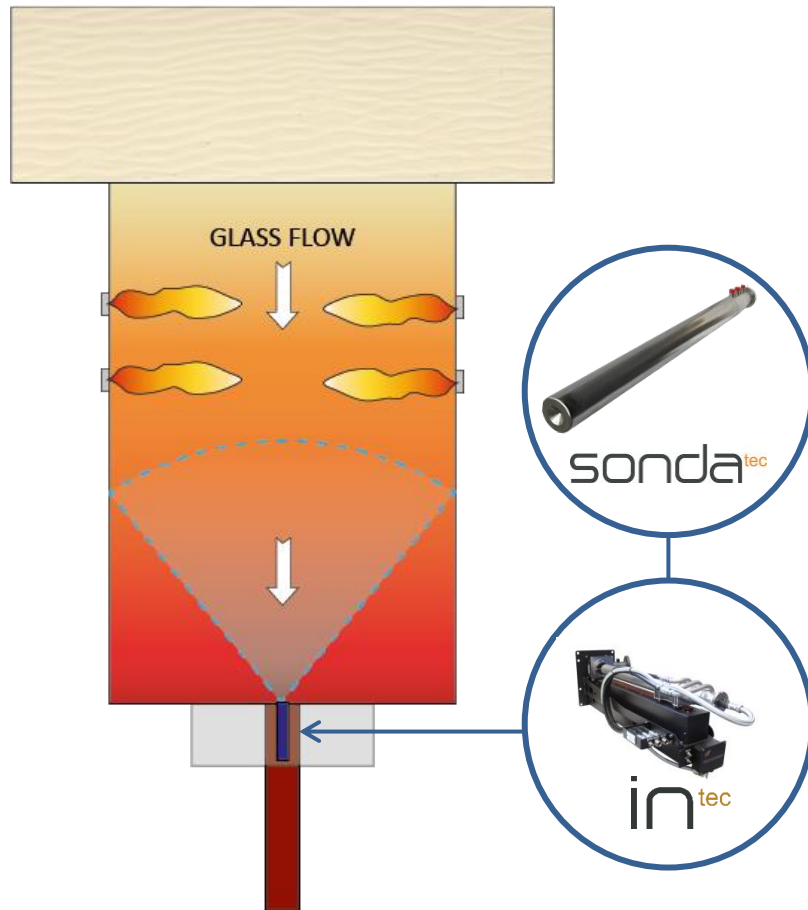
DOV 51

- 360° Pan&Tilt
- Up to 60°C
- High Resolution Zoom Camera
- Full remote control



Can be used for opposite control room surveillance and water break control

# APPLICATION ON HOLLOW GLASS PLANT

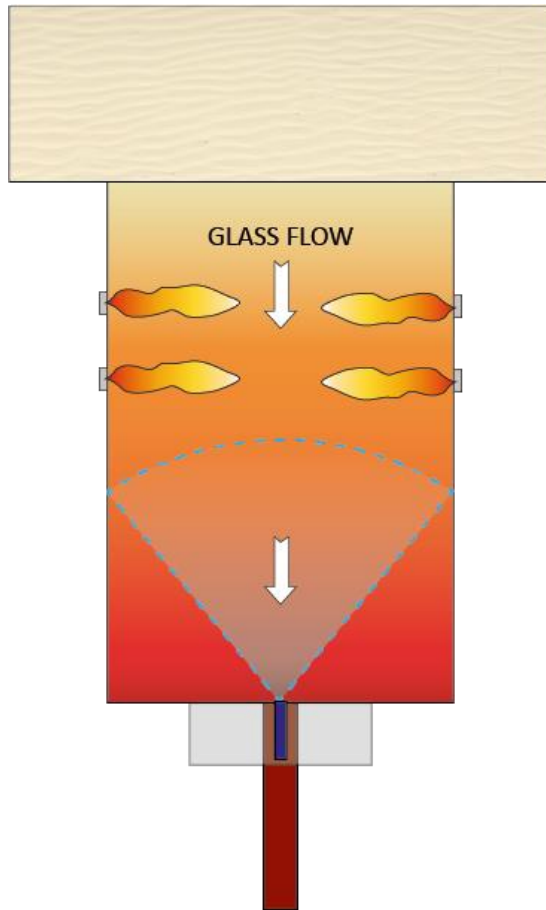


Video



Sondatec with AXIAL VISION

## APPLICATION ON HOLLOW GLASS PLANT



Sondatec with AXIAL VISION

## INDUSTRIAL CCTV SYSTEMS

### *APPLICATIONS:*

- Management control raw material;
- Depots control;
- Truck access and charging area;
- Perimeter control;



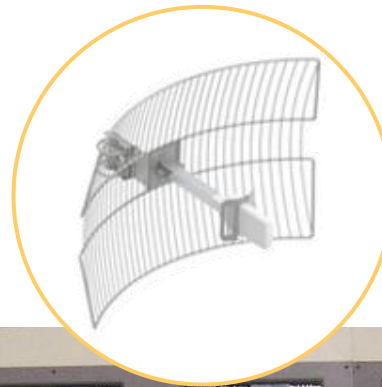
## INDUSTRIAL CCTV SYSTEMS

### TECHNOLOGIES & PRODUCTS

- WIDE RANGE OF CAMERAS AND ACCESSORIES (ANALOGUE, IP, FIXED OR PTZ);
- SPECIAL HOUSING FOR DUSTY ENVIRONMENT



- WIFI TRANSMISSION FOR LONG DISTANCE CONNECTION
- TRANSMISSION WITH FIBER OPTIC DEVICE



- COMPLETE SOLUTION FOR CONTROL ROOM VIDEO MANAGEMENT



## INDUSTRIAL AUDIO COMMUNICATION

### *APPLICATIONS*

- Heavy duty INTERPHONE for process area;
- PAGA – Public Address and General Alarm system for safety;
- Access and gate phone;

## INDUSTRIAL AUDIO COMMUNICATION

### *TECHNOLOGIES & PRODUCTS*



- INDUSTRIAL INTERCOM
  - Public Address & General Alarm (PAGA)
- INDUSTRIAL TELEPHONY / RADIO COMMUNICATION

## MAP OF OUR GLOBAL INSTALLATIONS

High temperature system for hollow glass furnace	BDF Industries S.p.A.	Bolivia	2024
High temperature system for basalt control	FALORNI GIANFRANCO SRL	Mexico	2024
Cameras for spread monitoring float glass inlet	SAINT-GOBAIN GLASS ITALIA S.p.A.	Italy	2023
Vision system for basalt kiln	FALORNI GIANFRANCO SRL	Italy	2023
New PTZ stations for belt and hopper control	SAINT-GOBAIN GLASS ITALIA S.p.A.	Italy	2023
Vision system for hollow glass oven	BDF Industries S.p.A.	Israel	2023
Vision system for hollow glass furnace	BDF Industries S.p.A.	Turkey	2023
Spare part camera and lens - Float glass plant in Mussafah ICAD-II	Emirates Float Glass LLC	UAE	2023
CCTV system for glass	FALORNI GIANFRANCO SRL	Mexico	2023
Camere Top-roll, postazione Carbon Pusher	SAINT-GOBAIN GLASS ITALIA S.p.A.	Italy	2022
Vision system for hollow glass oven. Sled rotated 180°	BDF Industries S.p.A.	Iraq	2022
Vision system for hollow glass oven. Sled rotated 180°	BDF Industries S.p.A.	Mexico	2022
Vision system for hollow glass oven. Sled rotated 180°	BDF Industries S.p.A.	Guatemala	2022
Replacement old analog camera (Ikegami ICD-509P) for Float glass manufacturing plant in Mussafah ICAD-II, Abu Dhabi	Emirates Float Glass LLC	UAE	2022
INTEC replacement device for CO21/0066 order	BDF Industries S.p.A.	Germany	2022
Cameras for muffle and catenary vision	OLIVOTTO Glass Technologies S.p.A.	Italy	2022
Cameras for muffle and catenary vision	OLIVOTTO Glass Technologies S.p.A.	Italy	2022
CCTV IP based system for furnace monitoring	AGC FLAT GLASS ITALIA S.r.l.	Italy	2022
High temperature camera system with INTEC device for Oksan	OPTIK SENS ÖLÇÜM VE KONTROL SİS. / Oksan	Turkey	2021
Cameras for muffle and catenary vision	OLIVOTTO Glass Technologies S.p.A.	China	2021
Surveillance cameras in the oven sole area	SAINT-GOBAIN GLASS ITALIA S.p.A.	Italy	2021
Vision system for hollow glass furnace	BDF Industries S.p.A.	Argentina	2021
Vision system for hollow glass furnace	BDF Industries S.p.A.	Germany	2021
High temperature cameras for muffle and catenary vision	OLIVOTTO Glass Technologies S.p.A.	China	2020
Vision system for Hollow Glass furnace	BDF Industries S.p.A.	Tunisia	2020
Vision system for Hollow Glass furnace	BDF Industries S.p.A.	Mexico	2020
PISA - High temperature system for Float Glass furnace - Exit	SAINT-GOBAIN GLASS ITALIA S.p.A.	Italy	2019
High temperature vision system for glass furnace	BDF Industries S.p.A. / Unknow	Paraguay	2018

## MAP OF OUR GLOBAL INSTALLATIONS

AZUQUECA - High temperature vision system for glass furnace	GLASS CONSULTING GROUP S.r.l. / Bormioli Rocco	Spain	2018
High temperature camera for stone wool furnace	STM Technologies S.r.l./ unknow	China	2018
INTEC system for hollow glass furnace control	BDF Industries S.p.A./unknown	Oman	2017
INTEC system for hollow glass furnace control	BDF Industries S.p.A./unknown	Italy	2017
INTEC system for hollow glass furnace control	BDF Industries S.p.A./unknown	Nigeria	2017
CCTV system for regenerative melting furnace 300TPD - Glass	FALORNI GIANFRANCO SRL	Italy	2017
INTEC system for hollow glass oven control	GLASS CONSULTING GROUP S.R.L/unknown	Italy	2017
High temperature camera system for Glass Knurl	Sphinx Glass C.O. (S.A.E.)	Egypt	2017
Process CCTV system (muffola e catenaria)	OLIVOTTO Glass Technologies S.p.A. / unknown	Italy	2016
High temperature vision system for glass furnace	BDF Industries S.p.A. / unknown	Angola	2016
High Temperature Camera	BDF Industries	South Africa	2015
Tula – Glass Furnace	BDF Industries S.p.A.	Russia	2014
VICENZA - Melting Glass Furnace	BDF Industries S.p.A.	Italy	2013
GENOVA - Melting Glass Furnace	MCR S.r.l.	Italy	2012
PIACENZA - Melting Glass Furnace	Glass Technologies	Italy	2012
PIACENZA - Melting Glass Furnace	Glass Technologies	Italy	2011
SAN GIORGIO DI NOGARO - Float Glass Plant	Sangalli Group / Sangalli Vetro Porto Nogaro	Italy	2011
SESTO SAN GIOVANNI (MI) - Melting Glass Furnace	Vetrobalsamo	Italy	2011
CUNEO - Float Glass Bath	AGC S.p.a	Italy	2010
PISA - Melting Glass Furnace	Gerresheimer Pisa S.p.A	Italy	2009
SESTO SAN GIOVANNI - Melting Glass Furnace	Vetrobalsamo	Italy	2009
SPHINX SADAT CITY - Float Glass Plant 600t/day	Ianua / SHIPNX GLASS	Egypt	2009
SAN SALVO - Float glass plant	FloVetro	Italy	2009
SAINTGOBAIN - Melting Furnace 650t/day	Saint Gobain	France	2008
EFG ABU DHABI - Float Glass Plant 600t/day	Ianua / EMIRATES FLOAT GLASS	UAE	2007
CUNEO - Melting Glass Furnace (Float plant)	Glaverbel	Italy	2006

From Istanbul to Mexico and India to Egypt you can find Telea Tecnovision's systems installed.

## MAP OF OUR GLOBAL INSTALLATIONS

PISA - Melting Glass Furnace	Kimble	Italy	2006
SAN SALVO - Float Glass Plant	Pilkington	Italy	2006
CHENNAI - Float Glass Plant	Saint Gobain Glass	India	2003
AVILES – Float Bath	Saint Gobain CRISTALERÍA	Spain	2002
MARGHERA - Float Glass Plant	Pilkington	Italy	2002
EGGBOROUGH - Float Glass Plant	Saint Gobain UK	UK	1999
ILCAIRO - Float Glass Plant	Inglen / Egyptian Glass Company	Egypt	1997
JACAREI - Float Glass Plant	Vidrio Saint Gobain / Cebrace - Cristal Plano Ltda.	Brazil	1997

From Istanbul to Mexico and India to Egypt you can find Telea Tecnovision's systems installed.