



POWER PLANTS

SOLUTIONS FOR INDUSTRIAL AUDIO&VIDEO SYSTEMS REQUIREMENTS



SYSTEM PROPOSED FOR POWER PLANTS APPLICATIONS:

HIGH TEMPERATURE CAMERA SYSTEM



INDUSTRIAL SECURITY SYSTEMS



INDUSTRIAL AUDIO COMMUNICATION



HIGH TEMPERATURE CAMERA SYSTEMS

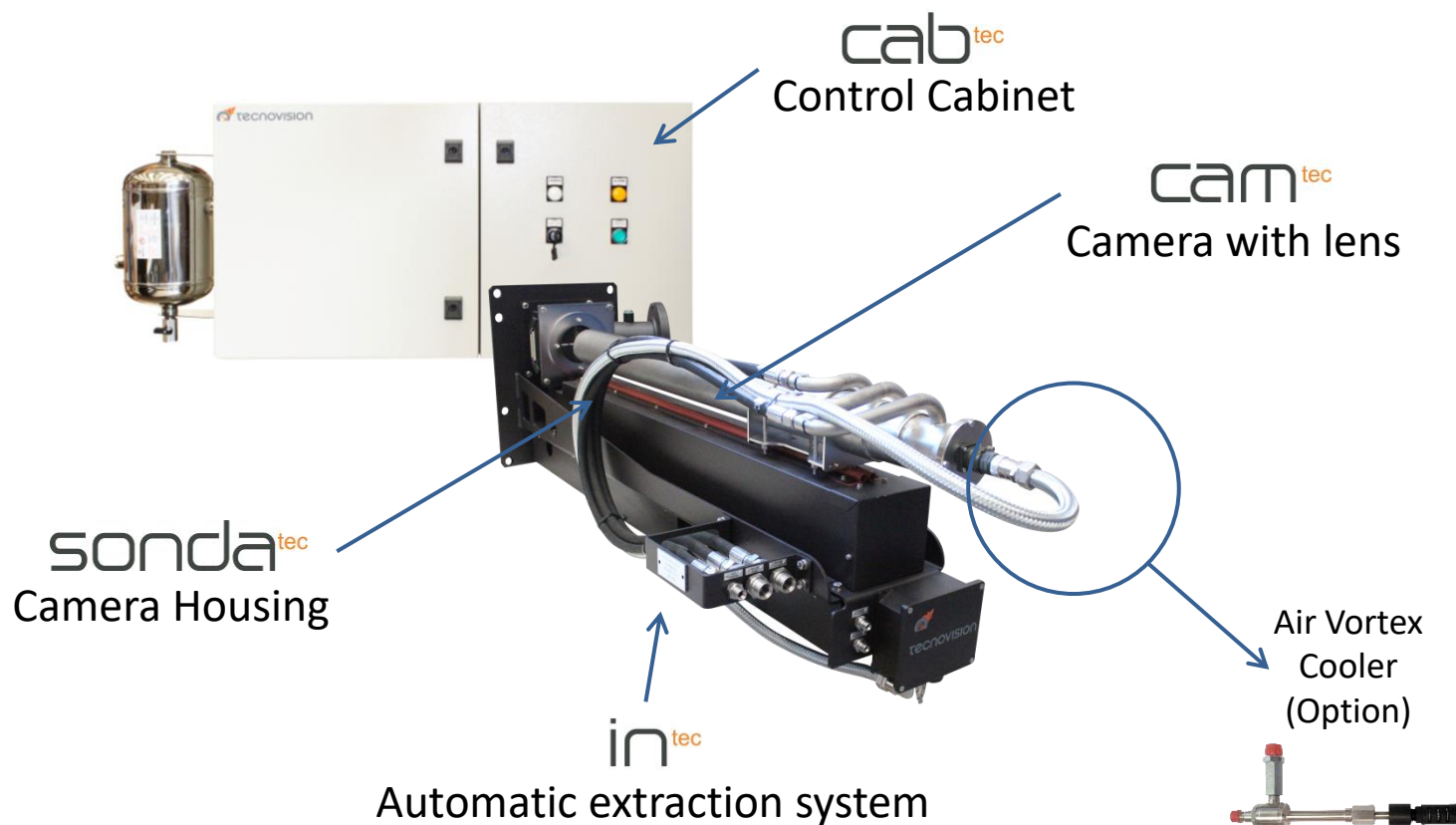
APPLICATIONS

Telea Tecnovision's monitoring systems are used to visually check flame of frontal, front-back and tangential burners of the boiler.

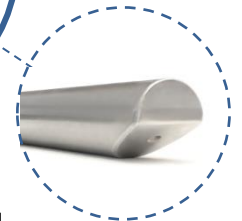
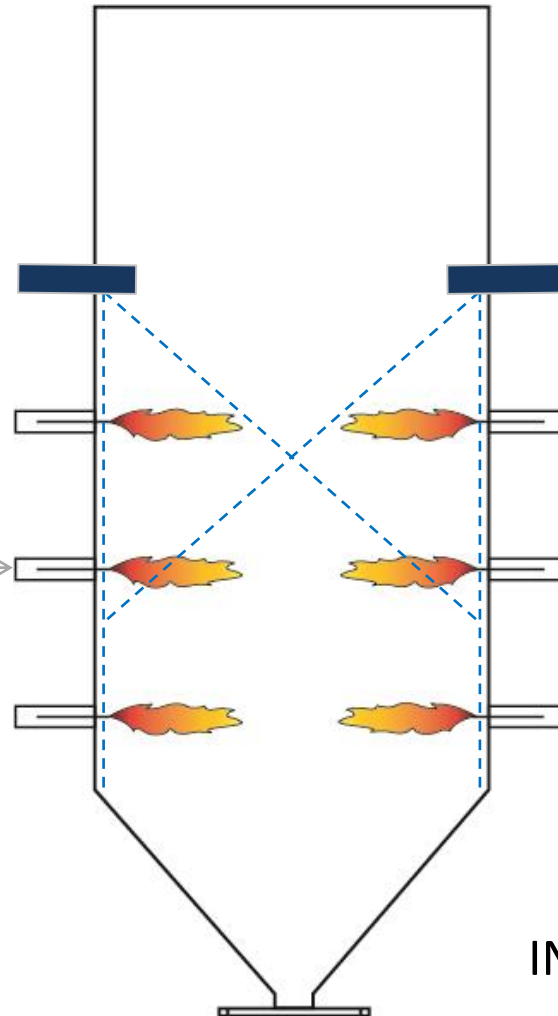
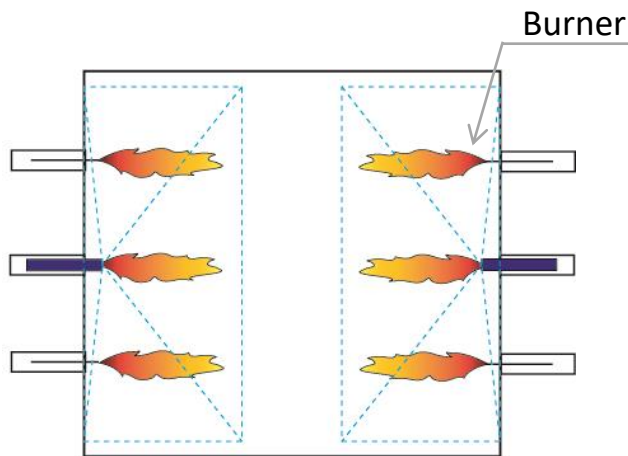
A special version of Portable Endoscope is used for temporary inspection.



FIXED APPLICATION FOR BOILER

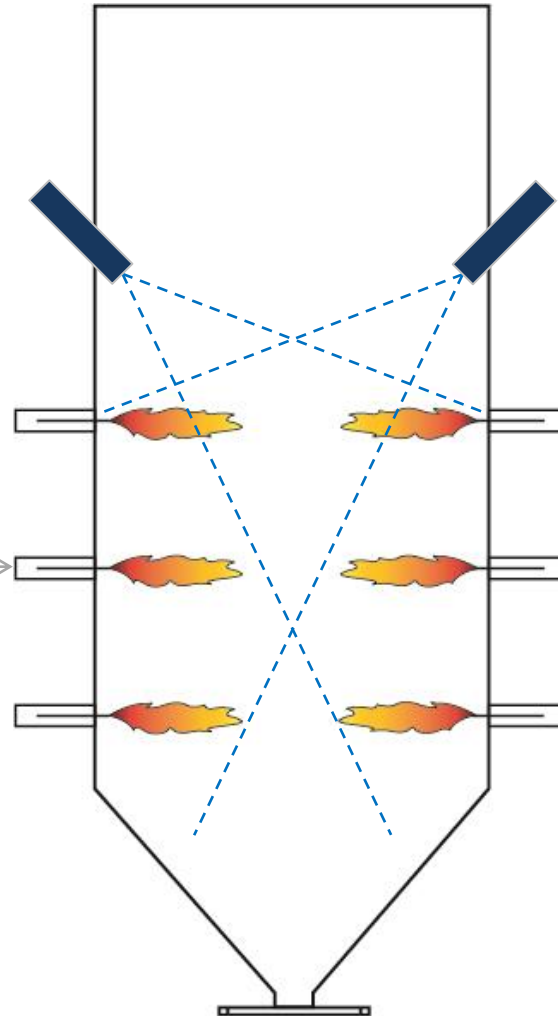
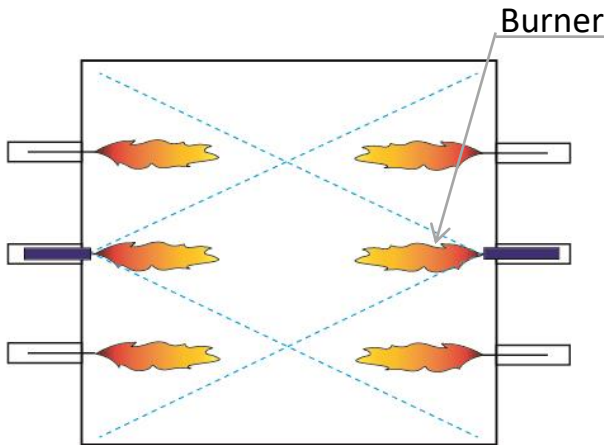


LOCATING CAMERAS IN FRONTAL-REAR BOILER



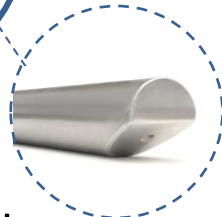
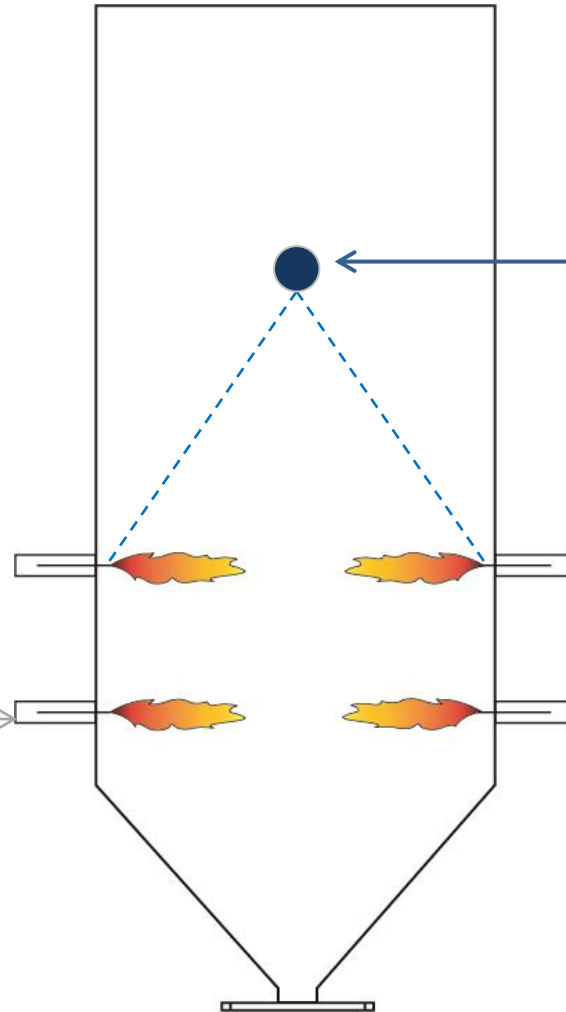
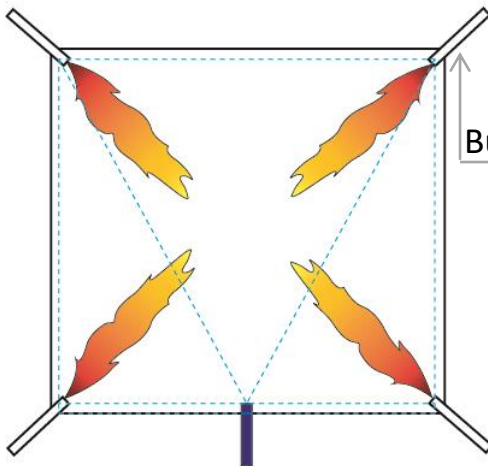
Sondatec with
INCLINED (ELBOW) VISION

LOCATING CAMERAS IN FRONTAL-REAR BOILER



Sondatec with
AXIAL VISION

LOCATING CAMERAS IN TANGENTIAL BOILER

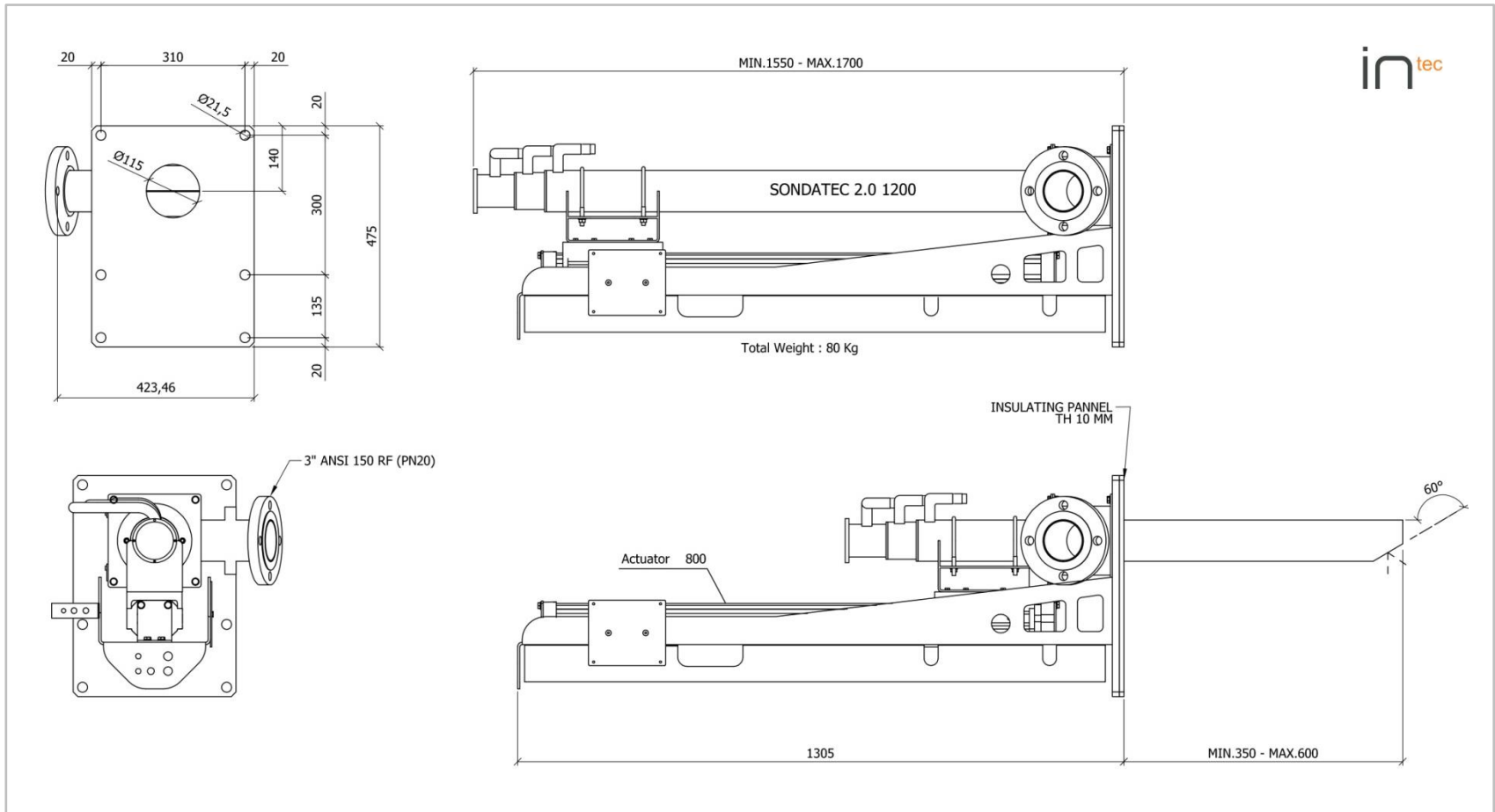


Sondatec with
INCLINED (ELBOW) VISION

SYSTEMS INSTALLED

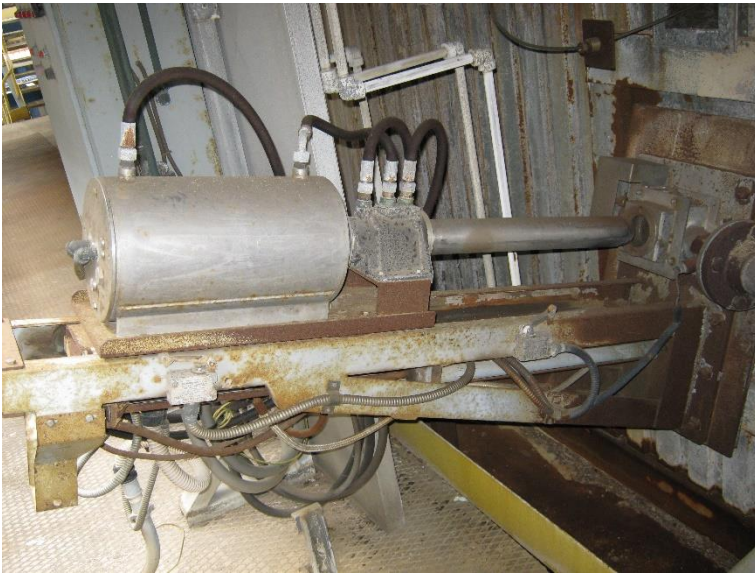


OVER SYSTEM'S DIMENSIONS

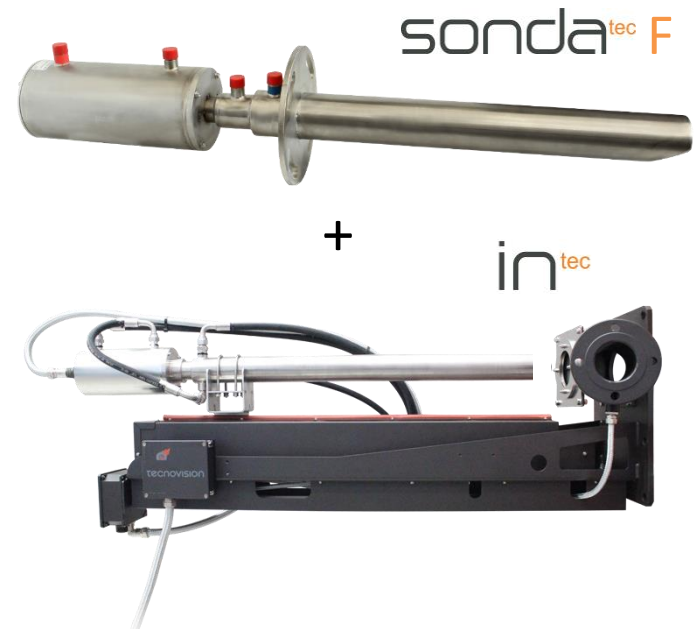


SOLUTION FOR REPLACEMENT TELEA MARELLI CCF200 SYSTEM


In order to replace the old TELEA MARELLI CCF200 system, we have developed the new SONDATEC F camera housing which, combined to the INTEC device, allows the replacement of the entire old system without modifications to the boiler wall.



Old TELEA MARELLI CCF200 system

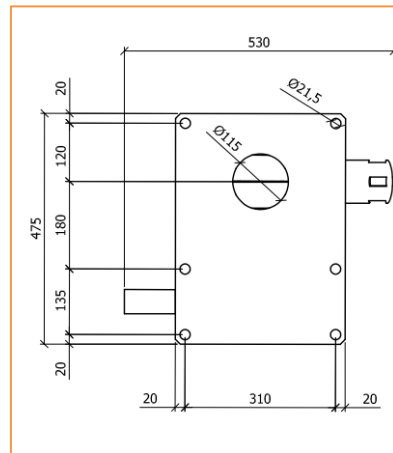
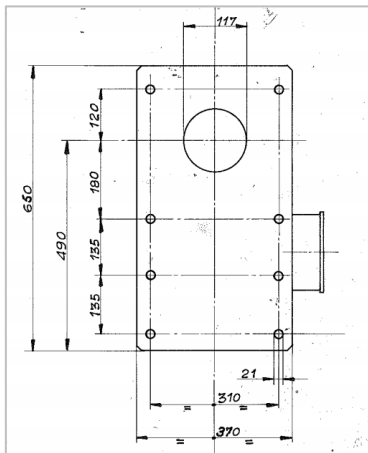


SOLUTION FOR REPLACEMENT TELEA MARELLI CCF200 SYSTEM

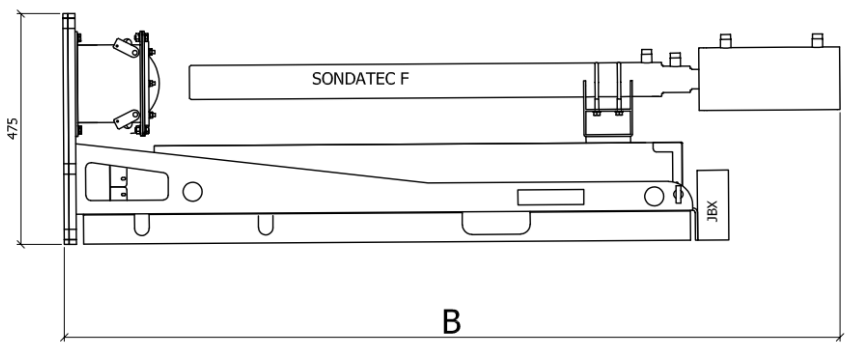



sonda^{tec} F

- ✓ Same diameter of penetration = 70mm
- ✓ Same length of penetration
- Inclined view of 60°, instead of previous 55°



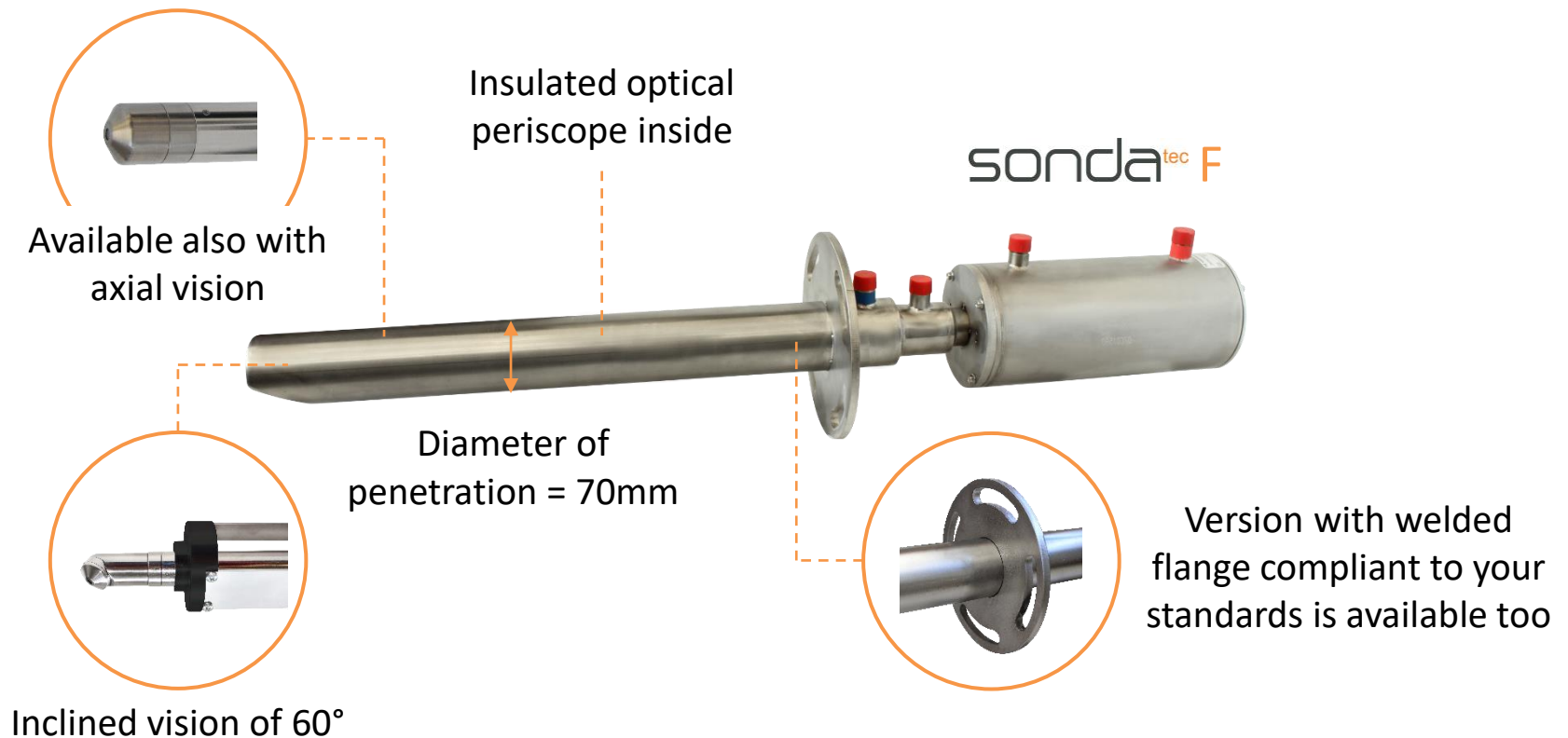
✓ Same interface on furnace wall



in^{tec}

SONDATEC F

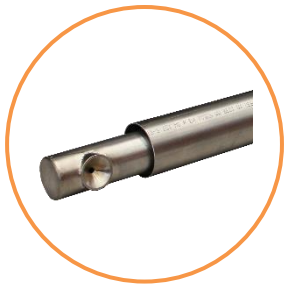
SONDATEC F camera housing is designed for operation with high temperature up to 2200°C, equipped with air and water cooling circuit. It allows the use of different type of cameras inside.



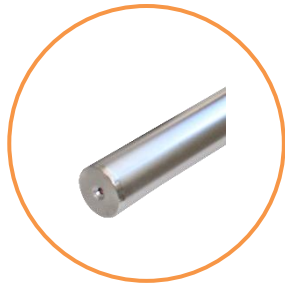
PORTABLE SYSTEM FOR TEMPORARY INSPECTION

Telea Tecnovision has developed a portable system ideal for mobile inspection

sonda^{tec} K



sonda^{tec} V



- 90° inclined or axial view
- External diameter of 57 mm



INDUSTRIAL SECURITY SYSTEMS

APPLICATIONS

- **Integrated Security Systems**

- CCTV Systems
- Perimeter Intrusion Detection Systems (PIDS)
- Gate and Building Access Control Systems (ACS)



- **PROCESS CCTV Systems**

- Stack monitoring
- Belt Conveyor Systems
- Fire detection systems based on Thermographic Camera
- Tanks control



INTEGRATED SECURITY SYSTEMS

TECHNOLOGIES & PRODUCTS

- PSIM SOLUTION
(Physical Security Information Management Software)



- HD CCTV Cameras
- IP based Fiber Optic Network
- Network Video Recorder
- Video Management Software

- ACCESS CONTROL SYSTEMS
(including proximity card and biometric readers)
- GATE ACCESS SYSTEMS



PROCESS CCTV SYSTEMS

TECHNOLOGIES & PRODUCTS

- PTZ **IRScan**[®] with special function 
- PTZ and Camera Housing also with **ATEX certification** 
- Video Management Software (VMS) for integration with standard CCTV cameras



INDUSTRIAL AUDIO COMMUNICATION

APPLICATIONS

- Heavy duty intercom for process area;
- Public Address and General Alarm system (PAGA);
- Industrial phone systems;
- Radio communication;

INDUSTRIAL AUDIO COMMUNICATION

TECHNOLOGIES & PRODUCTS

- PUBLIC ADDRESS & GENERAL ALARM (PAGA)



- INDUSTRIAL TELEPHONY & RADIO COMMUNICATION



- INDUSTRIAL INTERCOM



MAP OF OUR GLOBAL INSTALLATIONS

High temperature camera system for flame furnace monitoring	Tuana Mühendislik ve Ölçüm Sistemleri / Sistem Teknik	USA	2023
Thermographic system for ENI Crescentino Power plant	BT ITALIA S.p.A.	Italy	2023
Portable high temperature camera system with 90° inclined view	Almex Ltd	Canada	2023
Camera for inside furnace monitoring	UNICONFORT S.r.l.	France	2023
Portable periscope for viewing inside Boiler	ECOSESTO S.p.A.	Italy	2020
Industrial Intercom system	MESUREX S.L.	Cuba	2020
RAVENNA - ATEX equipment for CCTV system ENEL Porto Corsini	TSI System S.p.A.	Italy	2019
Perimeter CCTV system for solar farm	C.I.M.E. S.r.l.	Italy	2019
Shoaibah - Furnace IP cameras materials for units 9, 10, 11	Al Dousor INT. CO. LTD. / Saudi Electricity Company	Saudi Arabia	2018
ASSIUT - INTEC camera CCTV system for Power Plant	PEISCO - Petroleum&Industrial Services Co./unknown	Egypt	2017
ASSIUT - INTEC camera CCTV system for power plant	PEISCO	Egypt	2017
SOUTH HELWAN - Supercritical PP 3 x 650 MW GAS/OIL fired units	AC BOILERS S.p.A. / PGESCO / Upper Egypt Electricity P.	Egypt	2016
KOUBA - CCTV system for Ravin Blanc Oran Power Plant	Société Algérienne de Production de l'Electricite	Algeria	2015
Brindisi - New coal warehouse - IR camera for detection system	Project Automation S.p.A. / ENEL Produzione	Italy	2014
Suez - CCTV system for combustion chamber and stack	Ansaldo Caldaie / Suez Thermal Power Plant	Egypt	2014
SHOAIBA - Power Plant flame monitoring	Al Dousor INT. CO. LTD. / Saudi Electricity Company	KSA	2013
SAN FELICE SUL PANARO (MO) - 999KW Sun Power Farm	Elettrodinamica / Amministrazione Comunale	Italy	2011
VARANO (PR) - 999KW Sun Power Farm	Elettrodinamica / Amministrazione Comunale	Italy	2011
ABU QIR - Thermal Power Plant 2x650MW Gas/Oil Fired Boiler	Ansaldo Caldaie / PGESCO/WDEPL	Egypt	2010
COGNO (BS) - Hydro-electrical Power Plant	Edison	Italy	2010
DAMANHOUR - Thermal Power Plant 1x300MW Gas/Oil Fired Boiler	ABB/EEHC/WDEPCo	Egypt	2010
FARRA D'ISONZO (GO) - 300KW Sun Power Farm	Elettrodinamica / Iris Acqua	Italy	2010
FONDOVILLETTA (MO) - 999KW Sun Power Farm	Elettrodinamica / COM. S.Felice Sul Panaro	Italy	2010
JESOLO (VE) - 898KW Sun Power Farm	Elettrodinamica / Azz.Agr.Agrifalck	Italy	2010
MENZEL LEDJMET - Process CCTV systems	GPS/Alcatel-lucent/Saipem ENI	Algeria	2010
MONASTIR (TV) - 900KW Sun Power Farm	Elettrodinamica / Azz.Agr.Collalto Giustiniani	Italy	2010
VALLICELLETTA (MO) - 999KW Sun Power Farm	Elettrodinamica / COM. S.Felice Sul Panaro	Italy	2010
BAHIA LAS MINAS Repowering - Power Plant 1x400MW Coal Fired Boilers	Ansaldo Caldaie/SIEMENS AG	Panama	2008

From Istanbul to Mexico and India to Egypt you can find Telea Tecnovision's systems installed.

MAP OF OUR GLOBAL INSTALLATIONS

C.le ENEL MONTALTO DI CASTRO - Sez.1 1x660MW Gas/Oil Fired Boilers	ENEL Produzione	Italy	2008
CADAFE - Power Plant Unit 3 1x400MW Gas/Oil Fired Boilers	Alstom Power / CADAFE	Venezuela	2008
FIUME SANTO (SS) - Power Plant	E-ON	Italy	2008
MERS EL HADJADJ - Power Plant 1x168MW Gas/Oil Fired Boilers	Ansaldo Caldaie / SONELGAZ	Algeria	2008
MOHAMMEDIA - Power Plant 1x150MW Gas Fired Boiler	Ansaldo Caldaie / Office National de l'Electricitè	Maroc	2007
PRIOLO GARGALLO (SR) - Tvcc di processo C.le Turbogas	Snamprogetti / ERG	Italy	2007
SHUAIBAH IWPP - Power Plant 3x2018 t/h Oil Fired Boilers	Ansaldo Caldaie/SIEMENS AG	KSA	2007
TORREVALDALICA - Thermal Power Plant	Ansaldo Caldaie / Siemens / ENEL Produzione	Italy	2006
FERRARA - Tvcc di processo C.le Turbogas	Snamprogetti / S.E.F.	Italy	2005
LEGOL - Thermal Power Plant	Ansaldo Caldaie / Compagnie Termique Du Gol	La Réunion	2005
VOGHERA - Tvcc di processo C.le Turbogas	Foster Wheeler / Voghera Energia Spa	Italy	2005
BALLYLUMFORD - Thermal Power Plant	EnelPower / Premier Power Limited	North Ireland	2004
BOUFARIK- Electrical conversion substations	Ansaldo T&D / Sonelgaz	Algeria	2004
CHLEF - Electrical conversion substations	Ansaldo T&D / Sonelgaz	Algeria	2004
VASILIKOS - Thermal Power Plant	Ansaldo Caldaie / AHK	Cyprus	2004
BRINDISI - CCTV process Turbogas central	Snamprogetti / EniPower	Italy	2003
FERRERA ERBOGNONE (PV) - CCTV process Turbogas central	Snamprogetti / EniPower	Italy	2003
MANTOVA - CCTV process Turbogas central	Snamprogetti / EniPower	Italy	2003
RAVENNA - Tvcc di processo C.le Turbogas	Snamprogetti / EniPower	Italy	2003
SHOAIBA - Power Plant	ABB Alstom Power	KSA	2001
NASSYRIA - Power Plant	Saica	Iraq	2000
BAGHDAD - Power Plant	Saica	Iraq	1999
LASPEZIA - Autobotti parking	EnelPower / Enel Produzione	Italy	1999
LASPEZIA - Power Plant	STF / Enel Produzione	Italy	1999
NEHIVELI - Power Plant	Ansaldo Energia	India	1999
VADO LIGURE - Power Plant	Enel Produzione	Italy	1999
VADO LIGURE - Power Plant	Enel Produzione	Italy	1998
BRINDISI - Carbonidotto C.le Enel	Techint / ENEL Produzione	Italy	1996

From Istanbul to Mexico and India to Egypt you can find Telea Tecnovision's systems installed.